

Scuttlebutt

WWW.SOONERMODELA.ORG

Message from Interim Club President

Dear Sooner Model A Club,

I want everyone to know that I accepted the position of Interim Club President to ensure the continuation of the Sooner Model A Club. The Club has over 55 years of history, and I do not believe any of us are ready to let it go. The Interim Board and I hope to keep the Sooner Model A Club moving forward because we believe that the Club is an ideal place to find friends and fellow travelers who are also interested in Model A's. Traveling with the Club is a wonderful opportunity to not only see our wonderful state and surrounding areas of interest, but traveling with our friends and like-minded people in our Model A's provides a feeling of camaraderie that is not usually available in our ordinary lives.

There are many talented mechanics who are members of the club and willing to help whenever possible. As some of you may know, I am not a mechanic and I need all the help I can get to keep my Model A running. Most of us are not very mechanical, but we help each other whenever we can. I have always found fellow Sooner Model A Club members very helpful at home and on trips when needed. Our trips usually involve eating good food with our good friends. When we are traveling anywhere in our Model A's, there are almost always people who admire our Model A's and have so many questions about them. The Sooner Model A Club has been a valuable part of many of our lives. I was very pleased to see so many various members step up to volunteer to see that the Sooner Model A Club keeps going for another fifty-five years.

Thank You,
Don Mitchell



Volume 55, Issue 05
2022

**No May
Meeting**

Happy Mother's Day

**Next Meeting
June 12, 2022**

2022 Officers as of April 26th

President: Don Mitchell
405-830-2932

Vice-Pres: Phil Wolfenbarger
405-210-5198

Secretary: Vonnie Meritt
405-262-3354

Treasurer: Jerry Phillips
405-833-3770

Editor: Chuck Dusenbery
405-613-3901

WebMaster: Jim Yates
405-812-8982

Directors

David Swain
405-642-7810

Greg Hoyle
405-210-5198

Committees

Membership: Mike Campbell
405-740-5151

Sunshine: Kaye Sage
405-684-1564

Merchandise: K Lee Meritt
405-262-3354

2022 ACTIVITIES AT A GLANCE

(Subject to Change)

“Let the good times roll in your Model A”

There will not be a Model A Club meeting in May. The regular club meeting date falls on Mother's Day, so we wish to concentrate our time on this Mother's Day by honoring our mothers; spending time with them if living, or remembering them if they have passed. We hope to see you next month.

May 2022

- May 3 6:30pm **Board Meeting** – Johnnies, 2652 W. Britton Rd, OKC (east of May Ave)
- May 8 **Mother's Day** - NO Club Meeting today Happy Mother's Day
- May 14 12:30pm **Picnic & Poker Run w/V8 Club** - Ripper Park, 7800 NW 30th St, OKC
Sooner Club will furnish drinks & \$20.00 prize to best hand in poker run.

June 2022

- Jun 2-7 **Midwest Regional Meet** - Olathe, KS; Hosts: Plain Ol A's
- Jun 7 6:30pm **Board Meeting** - Johnnies, 2652 W. Britton Rd, OKC (east of May Ave)
- Jun 12 2:30pm **Club Meeting** - Will Rogers Garden Center, 3400 NW 36th St, OKC
Featuring Games with Sheryl Hoyle
- Jun 12-17 **MAFCA National Convention** - Kerrville, TX; Hosts: Alamo A's
- Jun 25 11:00am **First American Museum Tour** - 659 1st Americans Blvd, OKC, \$5.00 /person, pay Club Treasurer at June club meeting.

July 2022

- 4 **Independence Day Parade** - Bethany, Parade begins at 10:00am at 36th & College
- 4 **Independence Day Parade** - Edmond, Parade begins at 8:45am, Ayers St
at University Dr; Line-up 6:30am to 8:00am on east side of UCO Campus
- 5 6:30pm **Board Meeting** – Johnnies, 2652 W. Britton Rd, OKC (east of May Ave)
- 10 2:30pm **Club Meeting** - Will Rogers Garden Center, 3400 NW 36th St, OKC

October 13-16, 2022

Fall Tour - Branson, MO; Hosts: Tulsa Model A Ford Club
(Joint tour with Tulsa Club) See page 5 for the registration form.

November 4-6, 2022

Lake Murray State Park - Hosts: Dallas Model A Ford Club
Details coming soon; Lodge reservations available now;
Contact Jim Talkington (580) 579-4096 or texomatwo@sbcglobal.net

December 5 - 8, 2022

MAFCA National Awards Banquet, Golden, Colorado

June 11 – 16, 2023

Midwest Regional Meet, Breckenridge, Colorado

July 16 - 21, 2023

MAFCA National Tour, Indiana & Michigan

The Interim Sooner Model A Board

- President: Don Mitchell
- Vice President: Phil Wolfenbarger
- Secretary: Vonnie Meritt
- Treasurer: Jerry Phillips
- Editor: Chuck Dusenbery
- Web Master: Jim Yates
- Director: David Swain
- Director: Greg Hoyle

NEWS FROM THE FLYING QUAIL (MAFCA'S E-NEWSLETTER)

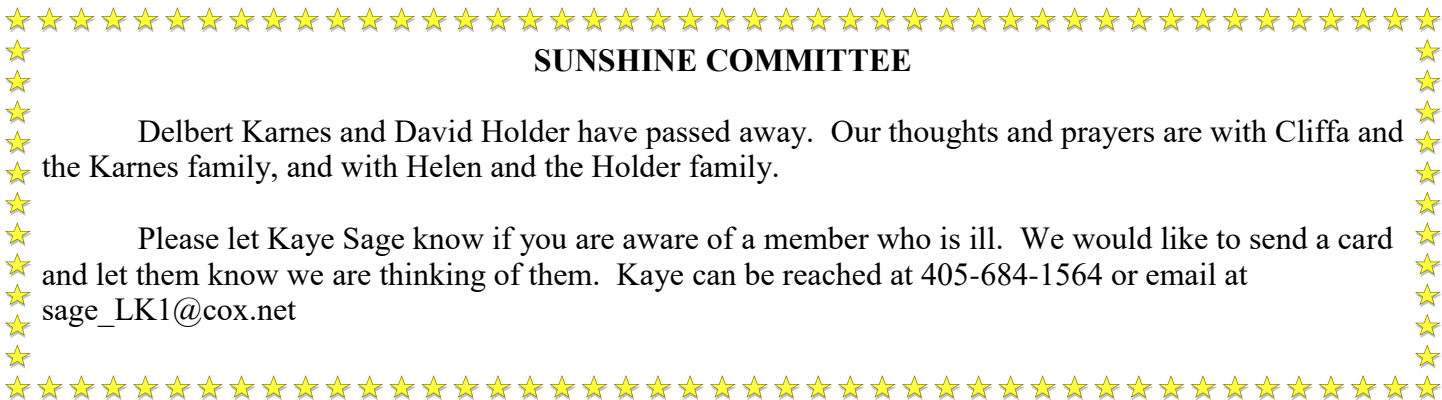
The Flying Quail is sent monthly to anyone requesting it. To be added to our mailing list, ask to be added by emailing us at flyingquail@yahoo.com

MAFCA's E-newsletter, The Flying Quail, was awarded Constant Contact's All-Star Award for achieving some of the highest views for our monthly E-newsletter.

Why Not Share Your.....

We would love to see photos of your Model A and hear your ideas of things to include in "On The Road With...."
Please send your suggestions to us at mafca_ontheroad@yahoo.com





SUNSHINE COMMITTEE

Delbert Karnes and David Holder have passed away. Our thoughts and prayers are with Cliffa and the Karnes family, and with Helen and the Holder family.

Please let Kaye Sage know if you are aware of a member who is ill. We would like to send a card and let them know we are thinking of them. Kaye can be reached at 405-684-1564 or email at sage_LK1@cox.net

Quotations of Henry Ford

Business grows big through the service it renders, not through any “control” that it exercises over materials, money, or people.

Ref: Quotations of Henry Ford, **Page 7**, APPLEWOOD BOOKS Bedford, Massachusetts

May 2022 Birthdays

6 - Will Langford	17 - Lisa Ramsey	28 - Nolen Morgan
12 - Debora Steiner	18 - Scott Waugh	?? - Marilyn Barton
12 - Doris Woodard	19 - Danielle Mitchell	
14 - Linda Stine	21 - Gene Cochrane	

May 2022 Anniversaries

15 - Aaron & Rachel Meador	24 - Tom & Carla Holcomb	28 - Tom & Connie Douglas
21 - Claude & Darla Blackwell	26 - Tom & Pat Marcotte	31 - Jim & Pam Williams
21 - Will & Vicky Langford	27 - Jock & Cia Campbell	

DISCUSSIONS OF THE BOARD

The Interim Board was discussing the possibility of moving the club meeting back to a Tuesday night some time in the future, and would like to have the opinions of the membership on this topic. We have found out that the fourth Tuesday of the month is available for our regular meeting room at the Will Rogers Garden Center. We will discuss it at the June board meeting and the June club meeting, so please think about it and let us know what you think.

There are still some committee duties available. If anyone would like to volunteer, please let us know. The phone numbers for the board members are listed on the front page of the Scuttlebutt.

It was decided that Board meetings will be held at Johnnie’s Restaurant in the Village. The address is 2652 W. Britton Rd, OKC (east of May Ave). Everyone is welcome at the board meetings, on the first Tuesday of each month (except December) at 6:30pm.

The Interim Board is currently working on getting PayPal established again. Until then, please mail your check in for the dues if not already paid for 2022.

Registration 2022 Fall Tour



Branson, Missouri
Thursday, October 13- Sunday, October 16, 2022

Name _____

Phone Number _____

Hotel Reservations- **Comfort Inn at Thousand Hills**, 203 S. Wildwood Drive, Branson **417-335-4727**
\$95 (+tax) To receive the discounted rate, let them know you are with the Tulsa Model A Ford Club.
We have reserved 30 double queen rooms.

Thursday, Oct. 13

Group Lunch, AQ Chicken	Pay the Restaurant Direct		
Presley's Country Jubilee	Adult \$39.00 X Total # _____	= Total \$ _____	
	Child \$19.50 X Total # _____	= Total \$ _____	

Friday, Oct. 14

Riverwalk Shopping & Lunch on your own (Check out the Trolley Ride)
Branson Belle Show Boat, Dinner & Cruise

Adult \$60.00 X Total # _____	= Total \$ _____
Child \$37.00 X Total # _____	= Total \$ _____

Saturday, Oct. 15

Scenic Drive
Dolly Parton Dinner & Show

Adult \$59.00 X Total # _____	= Total \$ _____
Child \$32.00 X Total # _____	= Total \$ _____

Sunday, Oct. 16

Depart for home

Check Amount \$ _____

We have negotiated special group pricing and reserved 50 seats at the dinners and shows, so please get your reservation in early. **The Reservation deadline is September 1, 2022.** We are required to give exact numbers and payments to the venues.

Please, return your registration & check to

Tulsa Model A Ford Club, P.O. Box 33348, Tulsa, OK 74135-3348

If you have questions or concerns, please contact
Connie Hudson 918-269-7240, conniehudson@cox.net,
Jeanne Washburn 918-693-2912 jeannewashburn@cox.net, or
Melody DuVall 918-458-7111 duvallstrans@att.net



**MIDWEST REGIONAL MEET
JUNE 2-7, 2022
OLATHE, KANSAS**



Midwest Regional Meet
Hosted by: Plain Ol A's
Host Hotel: Embassy Suites, Olathe
Information & Registration available [here](#)

**MAFCA NATIONAL CONVENTION
JUNE 12-17, 2022
KERRVILLE, TEXAS**



MAFCA National Convention
Hosted by: Alamo A's
Host Hotel: Y/O Ranch, Kerrville
Information & Registration available [here](#)

GOLDEN COLORADO VIDEO

An introductory video to the 2022 National Banquet in Golden Colorado has been created.

December 5 - 8, 2022

MAFCA National Awards Banquet, Golden, Colorado

[Click here to view it.](#)

For Sale! 1931 Model A Pickup, 1931 Model A Coupe.
Call Virjean Ogle at 405-640-5993.

For Sale! 1929 4 door Briggs Deluxe.
Call Tom Marcotte at 405-684-7248 or 405-895-7445.

For Sale! 1929 AA 1-1/2 ton flat-bed stake truck; VIN A3946780, mostly complete, needs some transmission work, rewiring, tires, etc. \$7,900.00.
Call Rob Wagner, 405-990-4100.

COFFEE AND CARS

Coffee and Cars started as a client appreciation event and has grown to be the largest monthly gathering of car enthusiasts across the great state of Oklahoma!

All makes, models, cars, trucks, and bikes, etc. are welcome.

Oklahoma City:

Coffee and Cars
Oklahoma City
1st Saturday of Each
Month
8am-11am
Chisholm Creek
Western and Memorial
(Cross Street)
13230 Pawnee Drive
Oklahoma City, OK
73114



Yukon:

Coffee and Cars Yukon
(AKA Yukon Nights Cruise In)
3rd Saturday of Each Month
6pm-9pm
Plaza at Stone Mill
2121 S. Yukon Parkway
Yukon, OK 73099



Norman:

Coffee and Cars
Norman
2nd Saturday of Each
Month
8am-10:30am
It is held at:
Crest foods.
1421 24th Ave NW
Norman, OK 73069



AUCTION: ANTIQUE AUTO'S TOOLS AND COLLECTIBLES

**155 NE
46TH PL, DES
MOINES, IA 50313
10:30 A.M. JUNE 4, 2022.**

The Estate of Clarence Hoffman, long time Model A aficionado and mechanic, along with
 T.S. Auction will offer a fantastic collection of Model A automobiles (and parts) and other auto related items. In-
 cluded in this sale will be: Automobiles, antique toys, antique collectibles, special items and garden equipment, tools,
 household items and much more. This is a must-see and must-attend event for anyone who loves anything from
 the past.

The auction will include the following:

VEHICLES, TRAILERS: Included are several Model A automobiles, including 1931 Model A, 1932 Model A, 1933 Model A, 1934 Model A, 1935 Model A, 1936 Model A, 1937 Model A, 1938 Model A, 1939 Model A, 1940 Model A, 1941 Model A, 1942 Model A, 1943 Model A, 1944 Model A, 1945 Model A, 1946 Model A, 1947 Model A, 1948 Model A, 1949 Model A, 1950 Model A, 1951 Model A, 1952 Model A, 1953 Model A, 1954 Model A, 1955 Model A, 1956 Model A, 1957 Model A, 1958 Model A, 1959 Model A, 1960 Model A, 1961 Model A, 1962 Model A, 1963 Model A, 1964 Model A, 1965 Model A, 1966 Model A, 1967 Model A, 1968 Model A, 1969 Model A, 1970 Model A, 1971 Model A, 1972 Model A, 1973 Model A, 1974 Model A, 1975 Model A, 1976 Model A, 1977 Model A, 1978 Model A, 1979 Model A, 1980 Model A, 1981 Model A, 1982 Model A, 1983 Model A, 1984 Model A, 1985 Model A, 1986 Model A, 1987 Model A, 1988 Model A, 1989 Model A, 1990 Model A, 1991 Model A, 1992 Model A, 1993 Model A, 1994 Model A, 1995 Model A, 1996 Model A, 1997 Model A, 1998 Model A, 1999 Model A, 2000 Model A, 2001 Model A, 2002 Model A, 2003 Model A, 2004 Model A, 2005 Model A, 2006 Model A, 2007 Model A, 2008 Model A, 2009 Model A, 2010 Model A, 2011 Model A, 2012 Model A, 2013 Model A, 2014 Model A, 2015 Model A, 2016 Model A, 2017 Model A, 2018 Model A, 2019 Model A, 2020 Model A, 2021 Model A, 2022 Model A.

ANTIQUES AND ANTIQUE AUTO PARTS: Model A Parts, tools, equipment, complete engines, radiators, shock absorbers, wheels, tires, axles, steering, pistons, carburetors, manifolds, fuel filters, oil filters, belts, hoses, bulbs, glass for Model A's, long blocks, fans, bearings, valve guides, push rods, connecting rods, pistons, rings, valves, and many other items for the Model A. Also included are: 1931 Model A, 1932 Model A, 1933 Model A, 1934 Model A, 1935 Model A, 1936 Model A, 1937 Model A, 1938 Model A, 1939 Model A, 1940 Model A, 1941 Model A, 1942 Model A, 1943 Model A, 1944 Model A, 1945 Model A, 1946 Model A, 1947 Model A, 1948 Model A, 1949 Model A, 1950 Model A, 1951 Model A, 1952 Model A, 1953 Model A, 1954 Model A, 1955 Model A, 1956 Model A, 1957 Model A, 1958 Model A, 1959 Model A, 1960 Model A, 1961 Model A, 1962 Model A, 1963 Model A, 1964 Model A, 1965 Model A, 1966 Model A, 1967 Model A, 1968 Model A, 1969 Model A, 1970 Model A, 1971 Model A, 1972 Model A, 1973 Model A, 1974 Model A, 1975 Model A, 1976 Model A, 1977 Model A, 1978 Model A, 1979 Model A, 1980 Model A, 1981 Model A, 1982 Model A, 1983 Model A, 1984 Model A, 1985 Model A, 1986 Model A, 1987 Model A, 1988 Model A, 1989 Model A, 1990 Model A, 1991 Model A, 1992 Model A, 1993 Model A, 1994 Model A, 1995 Model A, 1996 Model A, 1997 Model A, 1998 Model A, 1999 Model A, 2000 Model A, 2001 Model A, 2002 Model A, 2003 Model A, 2004 Model A, 2005 Model A, 2006 Model A, 2007 Model A, 2008 Model A, 2009 Model A, 2010 Model A, 2011 Model A, 2012 Model A, 2013 Model A, 2014 Model A, 2015 Model A, 2016 Model A, 2017 Model A, 2018 Model A, 2019 Model A, 2020 Model A, 2021 Model A, 2022 Model A.

LAWN AND GARDEN AND HOME: 1931 Model A, 1932 Model A, 1933 Model A, 1934 Model A, 1935 Model A, 1936 Model A, 1937 Model A, 1938 Model A, 1939 Model A, 1940 Model A, 1941 Model A, 1942 Model A, 1943 Model A, 1944 Model A, 1945 Model A, 1946 Model A, 1947 Model A, 1948 Model A, 1949 Model A, 1950 Model A, 1951 Model A, 1952 Model A, 1953 Model A, 1954 Model A, 1955 Model A, 1956 Model A, 1957 Model A, 1958 Model A, 1959 Model A, 1960 Model A, 1961 Model A, 1962 Model A, 1963 Model A, 1964 Model A, 1965 Model A, 1966 Model A, 1967 Model A, 1968 Model A, 1969 Model A, 1970 Model A, 1971 Model A, 1972 Model A, 1973 Model A, 1974 Model A, 1975 Model A, 1976 Model A, 1977 Model A, 1978 Model A, 1979 Model A, 1980 Model A, 1981 Model A, 1982 Model A, 1983 Model A, 1984 Model A, 1985 Model A, 1986 Model A, 1987 Model A, 1988 Model A, 1989 Model A, 1990 Model A, 1991 Model A, 1992 Model A, 1993 Model A, 1994 Model A, 1995 Model A, 1996 Model A, 1997 Model A, 1998 Model A, 1999 Model A, 2000 Model A, 2001 Model A, 2002 Model A, 2003 Model A, 2004 Model A, 2005 Model A, 2006 Model A, 2007 Model A, 2008 Model A, 2009 Model A, 2010 Model A, 2011 Model A, 2012 Model A, 2013 Model A, 2014 Model A, 2015 Model A, 2016 Model A, 2017 Model A, 2018 Model A, 2019 Model A, 2020 Model A, 2021 Model A, 2022 Model A.

RECREATIONAL ITEMS: Fishing boat and trailer for 40 hp motor, Wood Craft boat for recreational use, canoe, kayak, motor boat trailer, fishing poles, dog house, water-resistant trailer, and more.

HOUSEHOLD ITEMS: 1931 Model A, 1932 Model A, 1933 Model A, 1934 Model A, 1935 Model A, 1936 Model A, 1937 Model A, 1938 Model A, 1939 Model A, 1940 Model A, 1941 Model A, 1942 Model A, 1943 Model A, 1944 Model A, 1945 Model A, 1946 Model A, 1947 Model A, 1948 Model A, 1949 Model A, 1950 Model A, 1951 Model A, 1952 Model A, 1953 Model A, 1954 Model A, 1955 Model A, 1956 Model A, 1957 Model A, 1958 Model A, 1959 Model A, 1960 Model A, 1961 Model A, 1962 Model A, 1963 Model A, 1964 Model A, 1965 Model A, 1966 Model A, 1967 Model A, 1968 Model A, 1969 Model A, 1970 Model A, 1971 Model A, 1972 Model A, 1973 Model A, 1974 Model A, 1975 Model A, 1976 Model A, 1977 Model A, 1978 Model A, 1979 Model A, 1980 Model A, 1981 Model A, 1982 Model A, 1983 Model A, 1984 Model A, 1985 Model A, 1986 Model A, 1987 Model A, 1988 Model A, 1989 Model A, 1990 Model A, 1991 Model A, 1992 Model A, 1993 Model A, 1994 Model A, 1995 Model A, 1996 Model A, 1997 Model A, 1998 Model A, 1999 Model A, 2000 Model A, 2001 Model A, 2002 Model A, 2003 Model A, 2004 Model A, 2005 Model A, 2006 Model A, 2007 Model A, 2008 Model A, 2009 Model A, 2010 Model A, 2011 Model A, 2012 Model A, 2013 Model A, 2014 Model A, 2015 Model A, 2016 Model A, 2017 Model A, 2018 Model A, 2019 Model A, 2020 Model A, 2021 Model A, 2022 Model A.

AUCTIONEERS AND INFORMATION:
TCS AUCTION-TIM COOPER 520.390.8812
JERRY HOFFMAN 515.360.1211

The fine print did not come through very well on this copy of the flyer. If you are interested in the details of this Antique Auction in Des Moines, Iowa, on June 4th, please contact the Editor, Chuck Dusenbery, and he will email the flyer to you.

Jim's Tech Tips

"Grease Fitting Added to 7-tooth Steering Gear"

The Ford Service Bulletin from September, 1928, has a brief mention of adding a grease fitting to the sector shaft housing of the 7-tooth steering gear. Today's Tech Tip is a reprint of that little article from that bulletin.

FORD SERVICE BULLETIN for September PAGE 281

NEW LUBRICATOR FITTING IN STEERING GEAR HOUSING

The drilled hole in the steering sector shaft, through which the lubricant in the steering gear housing was carried to the sector shaft bushings, has been discontinued. Sector shaft bushings are now lubricated by means of a lubricator fitting placed in the steering gear housing. (See A, Fig. 570.) Lubricant should be forced into this fitting every 2,000 miles.

Should an instance arise where it is necessary to install the present design sector in an old steering gear assembly, it will be necessary to install a lubricator fitting in the housing. This is done by drilling a $21/64$ " hole $2-3/32$ " back from center line of flange where housing is bolted to frame. (See Fig. 571.) The hole should be drilled through housing and sector bushing and then tapped with a standard $1/8$ " pipe tap. When tapping the hole, do not tap too deep. The hole should be tapped just deep enough so that when the lubricator fitting is screwed down tightly approximately two threads on the fitting will remain above the surface of the housing. (See Fig. 571.)

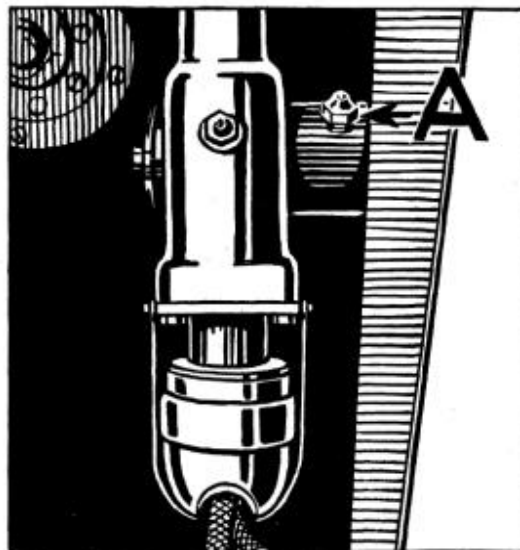


Fig. 570

You fill the steering gear box with the very heavy and thick 600W oil, and you squirt a little grease into this fitting that you are adding. The grease will lubricate the sector shaft, and it will form a little bit of a barrier that will slow down (not stop) the 600W gear oil from seeping out the sector shaft.

Have a Model A Day!
Jim

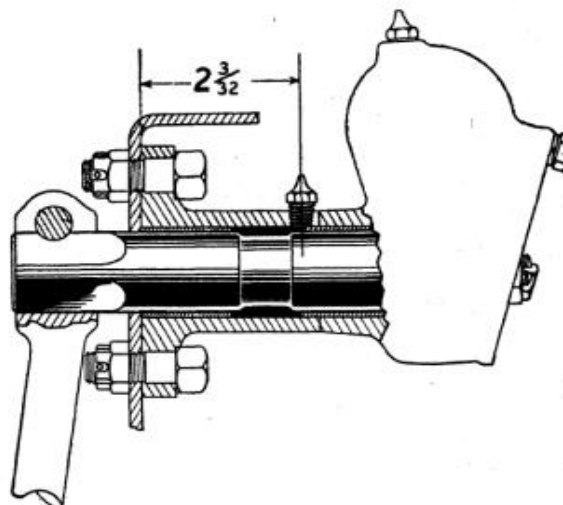


Fig. 571

SPRING TOUR, HUTCHINSON KANSAS MARCH 24-27, 2022



89ER PARADE, GUTHRIE OKLAHOMA MARSHALS AND LAWMEN OF THE FRONTIER APRIL 23, 2022



The World's Largest Selection of 1909-31 Ford Parts

Snyder's

ANTIQUÉ AUTO PARTS



(888) 262-5712
www.snydersantiqueauto.com
 12925 Woodworth Rd. • New Springfield, OH 44443

\$10.00 outside the U.S., Canada, & Mexico

Mike's "A" Ford-able Parts

Mike Butcher



124 Model A Drive, Maysville, GA 30558
 email: mike@mikes-afordable.com - www.mikes-afordable.com
 Fax: 706 652 2492 - Phone: 706 652 3866
 1 888 TRY MIKE (879 6453)



Specialising in 1928 - 1931 Model A Ford Parts

1909-48 Ford Parts & Accessories

800.242.6491
www.gaslightauto.com



Urbana, Ohio 43078

Gaslight Auto Parts

BRATTON'S

ANTIQUÉ AUTO PARTS



800-255-1929 Phone
www.brattons.com
 800-774-1930 Fax
 1606 Back Acre Circle
 Mount Airy, MD 21771

Your source for Quality Model A Ford Parts since 1976



Obsolete

& Classic Auto Parts

PARTS FOR FORD® CARS & TRUCKS

8701 South Interstate 35
 Oklahoma City, OK 73149

Toll Free: 1-800-654-3247
 Local (405) 631-3933
 FAX: 405-634-6815

info@classicautoparts.com

Buy, Sell & Consign

Classic Cars
 Daily Drivers



Michael Downes
 co-owner
 (405) 919-4552

www.distinctivemotorcarsokc.com

The Ultimate, Model "A" Alternator "FIT KIT"



- Precision Heavy Duty Powder Coated Brackets
- 2" Pulley for Max Output & Low RPM Cut-in
- Heavy Duty Grade 8 Mounting Bolts
- Limited Lifetime Warranty

USA

Fit Kit without Alternator \$59^{95*}
 Fit Kit with 12 Volt Alternator \$189^{95*}
 Fit Kit with 6 Volt Alternator \$219^{95*}

WAGNER PRODUCTS COMPANY
 Phone: 314-966-4444
www.wagnerproducts.com

*Plus shipping and handling

BOLT ON MODEL "A" RECEIVER HITCH

- 2" Class 3 Receiver Hitch
- Precision Lazer-Cut & MIG Welded
- Heavy Duty 1/4" Steel Construction
- Powder Coated for Durability
- Grade 8 Mounting Hardware
- Great for Flying Flags in Parades
 Luggage Carriers, Personal
 Mobility Scooter & Many Other Uses



USA

Model A-2831

WAGNER PRODUCTS COMPANY
 Phone: 314-966-4444
www.wagnerproducts.com

Only \$249.95 plus shipping & handling



APPLICATION FOR MEMBERSHIP

SOONER MODEL A CLUB

NEW _____

P.O. BOX 83192, OKLAHOMA CITY, OK 73148

RENEWAL _____

NAME _____ **BIRTHDAY** _____

SPOUSE _____ **BIRTHDAY** _____

ADDRESS _____ **CITY** _____ **ZIP** _____

TELEPHONE _____ **CELL PHONE** _____

ANNIVERSARY _____ **EMAIL** _____

DO YOU TEXT? YES NO **MAFCA MEMBERSHIP NUMBER** _____

MODEL A YEAR _____ **BODY STYLE** _____ **RUNNING?** _____

MODEL A YEAR _____ **BODY STYLE** _____ **RUNNING?** _____

DUES - \$20.00 PER YEAR/PER FAMILY



**SOONER MODEL A CLUB
P.O. BOX 83192
OKLAHOMA CITY, OK 73148**

The **SOONER MODEL A CLUB** is a non-profit organization affiliated with the Model A Ford Club of America. All correspondence for the club should be sent to the address above.

General Meetings are held on the second Sunday of the months of January thru November, except May and December. Meetings commence at 2:30 p.m. and are held at Will Rogers Garden Center at 3400 N.W. 36th Street in Oklahoma City. All members are welcome to attend the club's Board Meetings, which are held on the first Tuesday of each month at a location designated by the President and advertised in the Scuttlebutt. Membership dues are \$20.00 per year.

The primary requirement for membership shall be an interest in the objectives of the organization and a desire to participate in its activities. Actual possession of a Model A Ford is not a necessity. A member must be of good character as to be of benefit to the club, its functions and activities. An active member must be a member of the Model A Ford Club of America (MAFCA). MAFCA dues are \$50.00 per year.